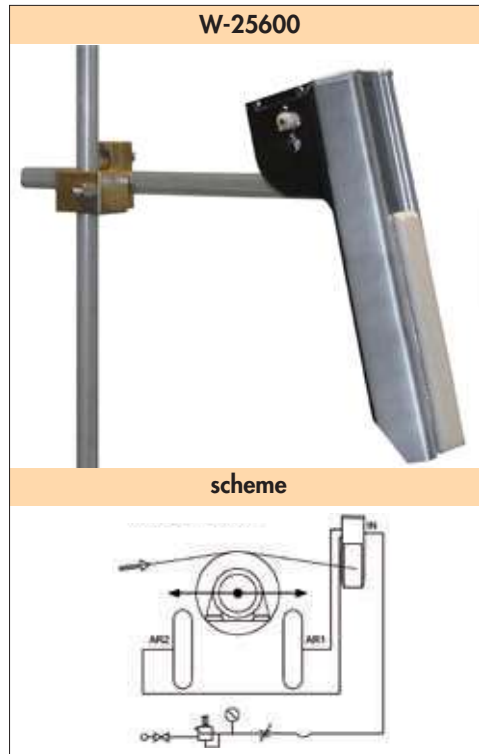


GUIDING SYSTEMS

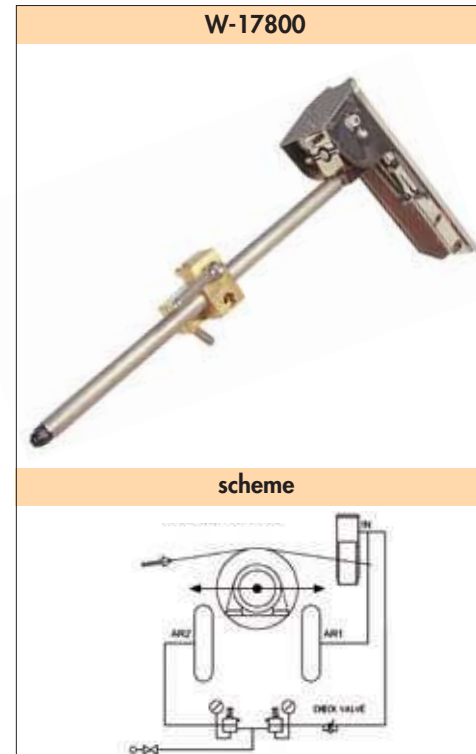
PRESSURE BALANCE PALM VALVE W-25600

- ✓ Pneumatic valve.
- ✓ Reduced hysteresis to compensate uneven edges.
- ✓ Low air consumption.
- ✓ Easy to operate.
- ✓ Low maintenance.
- Valve alternatively adds or bleeds air to and from the Fabric guide.
- Four-way control device.
- With stable Fabric, the valve is Normally Closed (NC), consequence is no air consumption.
- Sliding surface in ceramic or tungsten carbide.
- Max operating temperature: 120 °C.
- Max air pressure: 0.4 MPa.



PROPORTIONAL BLEED VALVE W-17800

- ✓ Pneumatic valve.
- ✓ High sensibility.
- ✓ Easy to operate.
- ✓ Low maintenance.
- Valve proportionally bleeds air from Fabric guide input line.
- Cone control device.
- Standard valve is Normally Closed (NC), on request can be Normally Open (NO).
- Palm action can be reversed by reversing cone device (NC to NO or vice versa).
- Sliding surface in ceramic or tungsten carbide.
- Max operating temperature: 120 °C.
- Max air pressure: 0.4 MPa.



ALARM PALM

- ✓ Protects Fabric from excessive run out.
- ✓ Alarm palms detect when Fabric tends to run off.
- ✓ Increase Fabric safety operations.
- ✓ Easy to operate.
- ✓ Low maintenance.
- Two limit switches detect Fabric run off levels.
 - 1st level signal wired to ALARM.
 - 2nd level signal wired to MACHINE STOP.

- Alarm palms have to be installed not contacting the Fabric, at Front and Back side of the machine.
- Sliding surface in Stainless Steel.
- Suitable for wet or high temperature applications.
- Max operating temperature: 100 °C or 150 °C.
- Accessories
 - Electric connection box.

