

AUTOMATIC RECIPROCATING AIR MOTORS

AUTOMATIC RECIPROCATING AIR MOTORS W-MP

- ✓ Automatic reciprocating air motors are normally used in those applications where a reciprocating forth and back motion at variable speed is required.
- ✓ Automatic reciprocating air motors have been developed more than 20 years ago and are still used in many different industrial applications.
- ✓ Double acting cylinder actuated by a valve system which alternatively feed both sides of the cylinder, using its motion to generate impulse.
- Suitable for doctors or shower oscillation.
- Air supply, do not need of electrical power.
- Versions
 - Stainless Steel execution for wet applications.
 - Steel/aluminum and bronze execution for high temperature applications.
- Three different sizes.
- Fixed strokes 9.5 – 15 – 20 mm, adjustable from 60 to 700 mm.
- Motors operated by filtered slightly lubricated compressed air, max. pressure 0.5 MPa.
- Operating temperature up to 120 °C.
- Motors are equipped with pressure port to check effective operating pressure.



SIZE	STROKE (mm)	TYPE (mm)	FORCE (max daN @ 0.3 MPa)
W-110 F	9.5 - 15 - 20	Fissa	250
W-110 R	60 - 260	Regolabile (min 20 mm)	250
W-110 RL	260 - 710	Regolabile (min 1/2 corsa)	250
W-150 F	9.5 - 15 - 20	Fissa	450
W-150 R	60 - 260	Regolabile (min 20 mm)	450
W-150 RL	260 - 710	Regolabile (min 1/2 corsa)	450
W-200 F	9.5 - 15 - 20	Fissa	850

- Accessories
 - Articulated joint.
 - Fixed support.
 - Pivoting support (for stroke above 100 mm).
 - Motor stop alarm device.

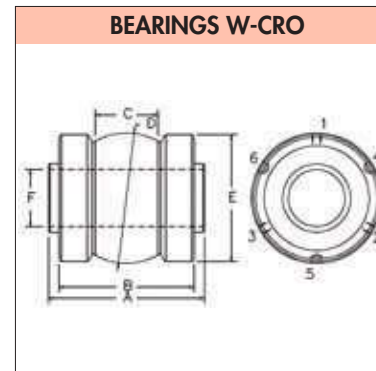
BEARINGS FOR AXIAL MOVEMENTS

BEARINGS FOR AXIAL MOVEMENTS W-CRO

- ✓ Suitable for applications where high axial sliding capacity and perfect load alignment are required.
- ✓ Operating performance.
- ✓ High reliability and safe operation.
- ✓ Easy installation and reduced maintenance.
- Low friction coefficient.
- Self-alignment: ax. 3° in all directions.



SIZE	RADIAL LOAD (daN)		STROKE (mm)	A (mm)	B (mm)	C (mm)	D (mm)	E (mm)	F _{max} (mm)
	Type A	Type B							
CRO 97	280	490	25	119	92	30	97	99	45
CRO 127	550	970	25	156	124	57	127	124	54
CRO 152	1300	2300	22	181	157	73	152.4	148	67
CRO 163	870	1500	25	152	125	57	163.4	160	88
CRO 174	1300	2250	25	152	125	57	174.6	172	89
CRO 196	1950	3350	25	200	174	64	196	194	89
CRO 215	2550	4650	35	241	203	102	215.9	214	98
CRO 220	2050	3550	25	172	148	70	220	210	101
CRO 236	4150	7200	38	302	264	115	236.5	234	114



- Versions
 - Type "A": Stainless Steel execution (on request, with bronze ball bushing) for wet applications, max. temperature: 70 °C.
 - Type "B": Steel execution for high temperature applications (max. 130 °C).
 - Other executions and types on request.
- Internal balls in Stainless Steel for wet applications.