

MECHANICAL SCREW JACKS

MICRO SCREW JACKS

MECHANICAL SCREW JACKS W-SJ

- ✓ Weingrill screw jacks have been used by the thousands for over thirty years in the most diverse industrial applications, with excellent functional and durability results.
- ✓ Numerous applications, sizes and executions in stainless steel allow Weingrill to be able to reply to any installation requirements.
- Sizes from 5 to 1500 kN.
- Operation can be either manual or motorized.
- Worm or two pinion bevel gear screw, with V-thread or ball bearing lifting screw.
- Combined with hydraulic piston.
- Equipment:
 - diameters, pitches and end dimensions on request;
 - anti-backlash feature and anti-rotation system;
 - additional guides and mechanical stops;
 - special screw to wheel ratios;
 - electric limit switches and position detection system;
 - centesimal dial indicator for direct stroke reading;
 - swinging mounting features;
 - conventional and special hand operated hand wheel with gravitational dial indicator or ratchet;
 - supports or coupling for direct motor assembly;
 - gear reducers, transmission shafts and couplings for dual or multiple connections.

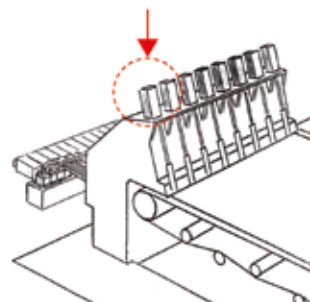
MECHANICAL SCREW JACKS W-SJ



MICRO SCREW JACKS W-MSJ

- ✓ Weingrill micro actuators have been used for over twenty years in headbox slice lip profiling applications.
- Complete anti corrosion and water proof execution.
- Capacity 450 daN.
- Manual type:
 - manual control;
 - centesimal dial indicator for position display.
- Motorized type:
 - drive with motor 24/115 Vdc or Vac;
 - position feedback by LVDT.
- Models with vertical or horizontal dial indicator.

MICRO SCREW JACKS W-MSJ



MICRO SCREW JACKS W-MSJ

